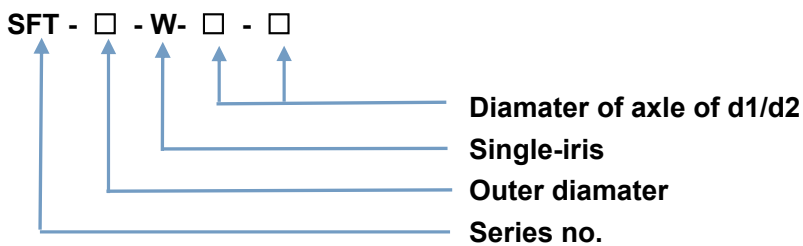


SFT-W Couplings



Type Remarks:



1. Aluminium flexible coupling introduction:

Aluminium flexible couplings are offered in the industry's largest variety of stock bore/keyway combinations. These couplings require no lubrication and provide highly reliable service for light, medium, and heavy duty electrical motor and internal combustion power transmission applications. Applications include power transmission to industrial equipment such as pumps, gear boxes, compressors, blowers, mixers, and conveyors.

2. Our aluminium flexible coupling details are as follow:

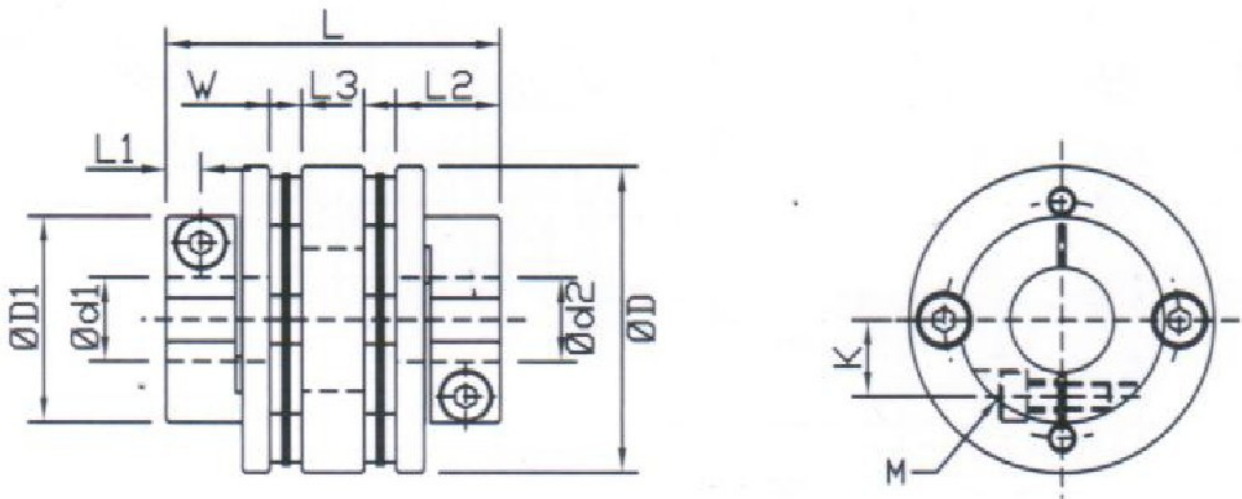
1. Material: Aluminium alloy or steel, TPU, NBR rubber etc.
2. Elastic Spider: Three type of Elastic Spider can be chosen 86SH. A 92SH. A 98SH. A
3. Surface treatment: black finished / Anodizing.
4. High sensitivity High torque rigid Zero back lash.
5. Type of shaft lock: Setscrew or Clamp type.
6. Rotation character of clockwise or anti-clockwise are exactly the same.
7. Coupling assembled by pressing a polyurethane sleeve into hubs on both sides.

3. Our Features:

1. Zero backlash.
2. Small volume and large transmitted torque.
3. Free maintenance, oil-resist and anti-corrosiveness.
4. Easy pulling out and install.
5. Stock to ensure a prompt delivery within one week.
6. High-performance with competitive prices.

4: Coupling sizes:

Model	d1		D	D1	L	L1	L2	L3	W	K	M	Tightening torque [N.m]
	Min	Max										
SFT-34W	5	10	34	21.6	38.2	4	12	7.5	3.35	8.0	M3	1.5
SFT-39W	6	12	39	24.6	47.7	5	15	9.0	4.35	8.5	M4	3.4
SFT-44W	8	16	44	29.6	48.2	5	15	9.0	4.60	11.0	M4	3.4
SFT-56W	10	20	56	38	62.5	6.6	20	12.0	5.25	14.5	M5	7.0
SFT-68W	12	25	68	46	73.6	7.6	24	14	5.80	17.5	M6	14.0
SFT-82W	14	30	82	56	98	9.3	30	22.0	8.00	20.0	M8	30.0



5: Technical data:

Model	Rated torque		Maximum Speed [r/min]	Inertia moment [kg·m ²]	Static torque rigidity [N.m/rad]	Maximum allowed deviation			Weight [g]
	Nominal [N.m]	Max [N.m]				Radial direction [mm]	Angle [.]	Axial [mm]	
SFT-34W	4	8	10000	7.33×10^{-6}	1700	0.18	1(unilateral)	±0.36	49
SFT-39W	6	12	10000	1.68×10^{-5}	2500	0.22	1(unilateral)	±0.50	89
SFT-44W	10	20	10000	2.95×10^{-5}	3000	0.24	1(unilateral)	±0.60	108
SFT-56W	25	50	10000	9.89×10^{-5}	8500	0.28	1(unilateral)	±0.80	232
SFT-68W	60	120	10000	2.52×10^{-4}	12000	0.32	1(unilateral)	±0.90	408
SFT-82W	100	200	10000	7.24×10^{-4}	15000	0.52	1(unilateral)	±1.00	680